

PLAN OF SUBDIVISION OF PART OF
LOT 4, SECTION 19, RANGE 4,
CHEMAINUS DISTRICT, PLAN 3905.

B.C.G.S. 92B 092

SCALE 1:750



LEGEND

All distances are in metres, and are subject to change upon legal survey.

- denotes control monument found.
- denotes standard iron post found.
- denotes standard iron post placed.
- △ denotes traverse hub placed.

Bearings are grid bearings derived from observations between Control Monuments 4450 and 4422.

This plan lies within Integrated Survey Area No.10

The Corporation of The District of North Cowichan.

This plan shows ground level measured distances.

Prior to computation of U.T.M. coordinates

multiply by combined factor 0.99963 (NAD83) CSRS.

TRAVERSE TABLE			
31 to 33	72° 52' 33"	81.179	
33 to 35	68° 03' 05"	93.517	
35 to 4450	58° 59' 51"	100.978	



REGISTERED OWNER: LOT 4, PLAN 3905
C.C. INVESTMENTS LTD., INC. NO. 447938

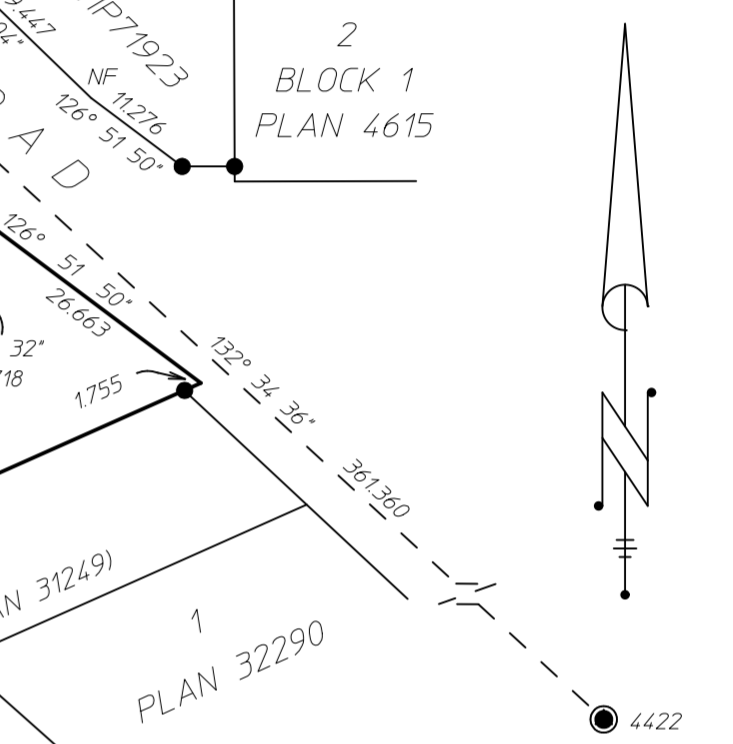
Chris Clement
Witness to signature
Occupation of witness
Address of witness

KENYON WILSON
PROFESSIONAL LAND SURVEYORS
#221 CORONATION AVE.
DUNCAN, B.C. V9L 2T1 (250) 746-4745
FILE 04-5964D.DFT

PLAN VIP

Deposited in the Land Title Office at Victoria, B.C.,
this day of _____, 2006.

Registrar
Approved under the Land Title Act
this day of _____, 2006.
Approving Officer for the Corporation
of the District of North Cowichan
This Plan lies within
The Cowichan Valley Regional District.



MORTGAGEE: Charge # CA230728, CA230729
ISLAND SAVINGS CREDIT UNION.

Authorized Signatory
(Print name here.....)
Authorized Signatory
(Print name here.....)

MORTGAGEE: Charge # EX109481, EX109482
HSBC BANK CANADA

Authorized Signatory
(Print name here.....)
Authorized Signatory
(Print name here.....)
Witness to both signatures
(Print name here.....)
Occupation of witness

Witness to both signatures
(Print name here.....)

Occupation of witness

Address of witness

I, ALLEN L. COX, a British Columbia Land Surveyor,
of the City of Duncan, in British Columbia, certify
that I was present at and personally superintended
the survey represented by this plan, and that the
survey and plan are correct. The field survey was
completed on the _____ day of August 2006. The plan
was completed and checked, and the checklist filed
under _____, on the _____ day of August, 2006.

B.C.L.S.